



see what Delta can doSM

ACCESSORIES

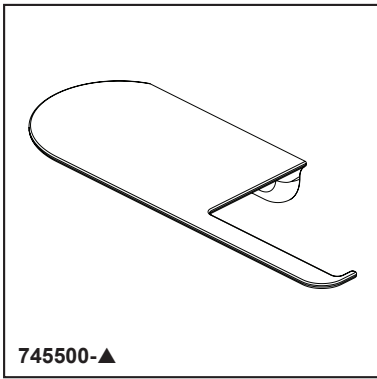
- Bonacci™ Bath Collection
- Tissue Holder with Shelf

STANDARD SPECIFICATIONS:

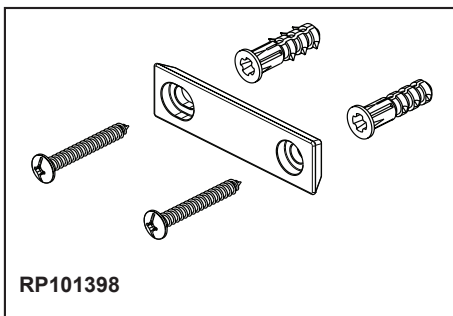
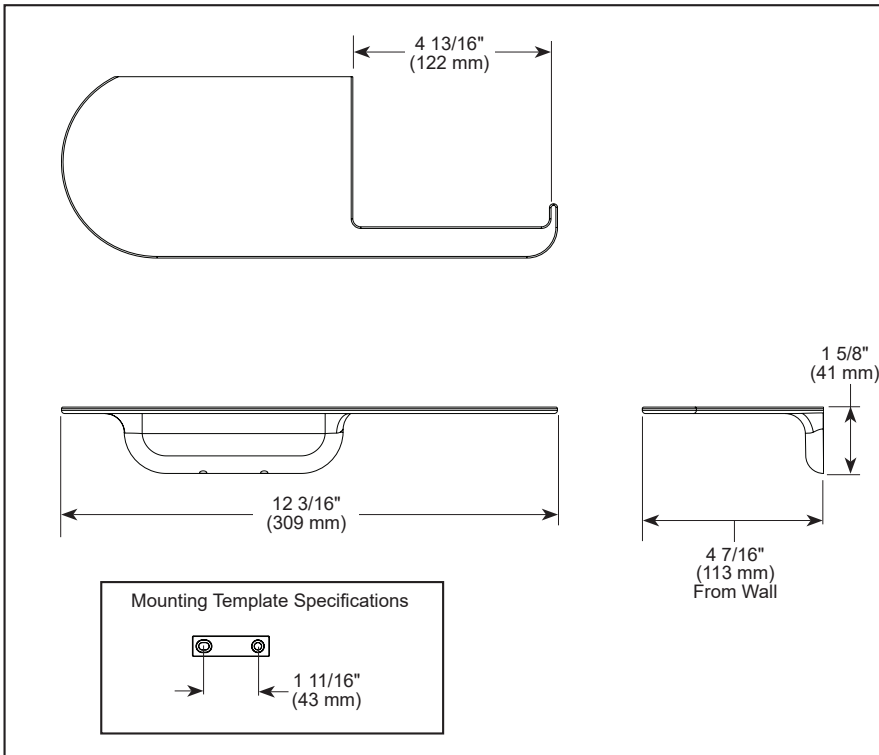
- Wood blocking is preferable behind all wall surfaces. If wood blocking is not available, the following fasteners are suggested: Tile/Masonry-Plastic or lead Anchors Plaster/drywall-Toggle bolts.
- Mounting hardware included with product.

WARRANTY

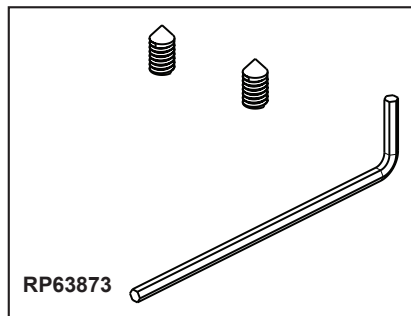
- Parts and Finish - Lifetime limited warranty; or for commercial purchasers, 10 years for multi-family residential (apartments and condominiums) and 5 years for all other commercial uses, in each case from the date the product is received by the original purchaser or their authorized representative (installation contractor, etc.).
- Please go to www.deltafaucet.com for the complete details of our limited warranty.



745500-▲



RP101398



RP63873

▲ Designate Proper Finish Suffix